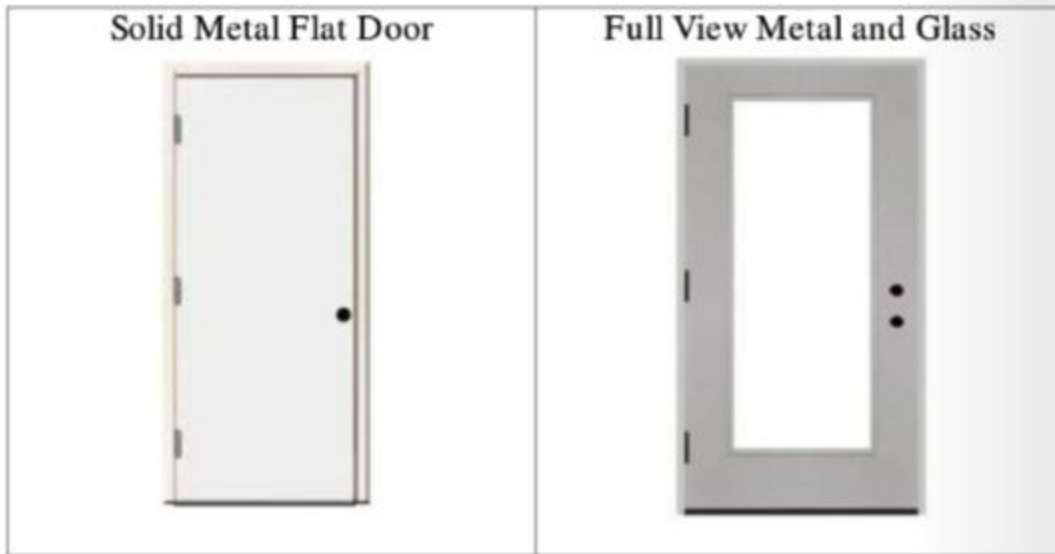


Front Doors are to be Solid Flat panel doors or Single Full Lite doors. Painted to match Siding or White Trim Color. Material to be wood, fiberglass or steel. Must be smooth finish

Front Entry Door
Color: same color as siding

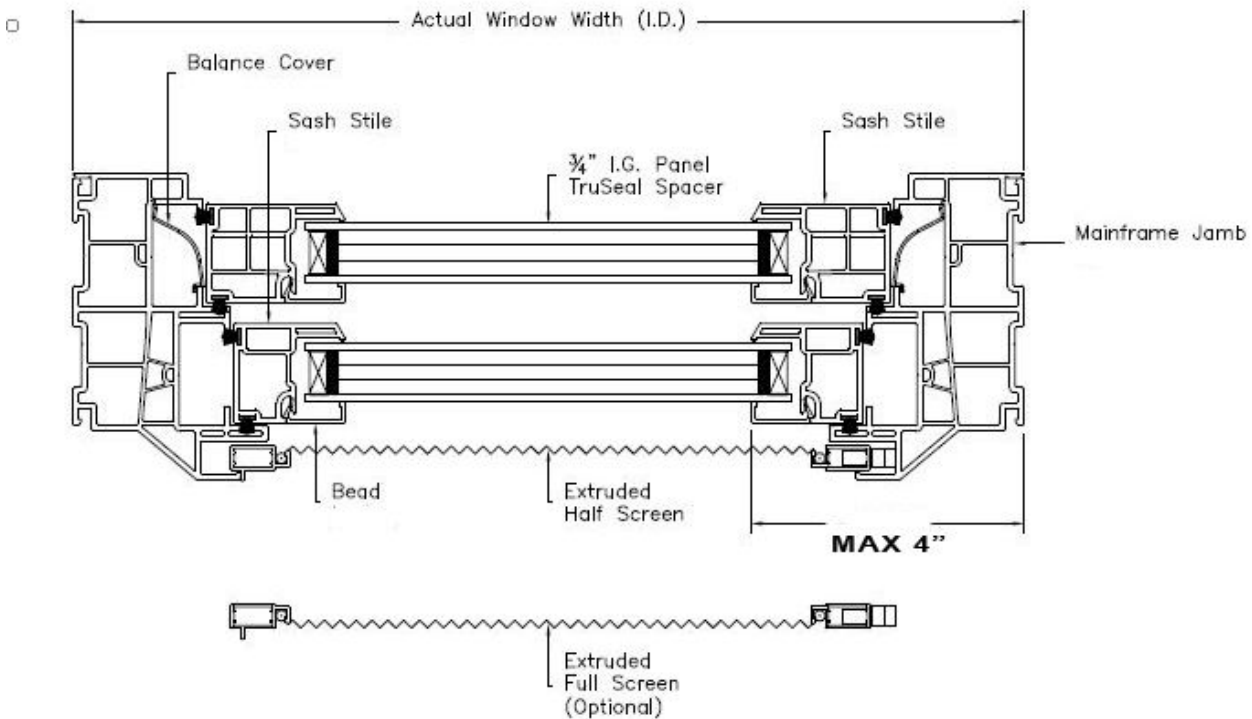


Front Storm Doors to be full view or self storing/screen. Painted to match siding or White trim color



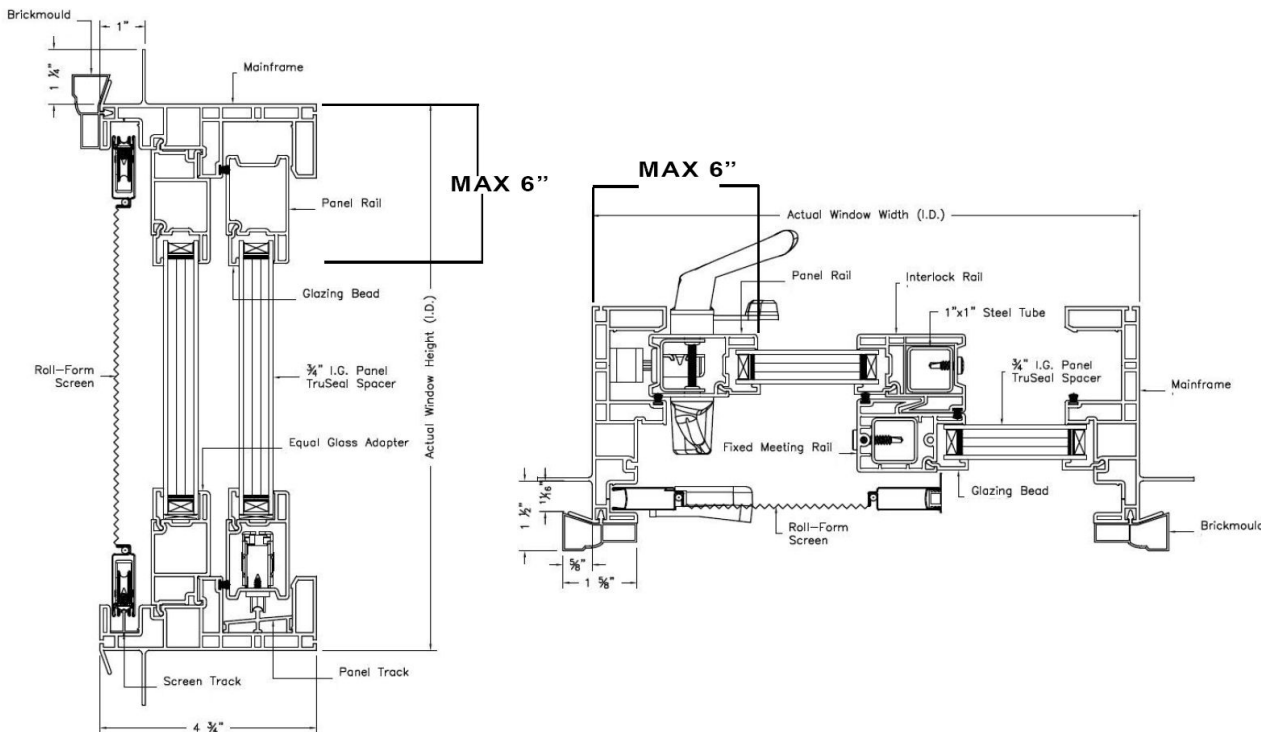
Original aluminum windows are OK to remain.

All replacement windows are to be white exterior with minimal profile and no grids. Total thickness of frame and sash/rail not to exceed 4" before glass starts. Material can be vinyl, fiberglass composite or aluminum. All windows to maintain original slider design or slider over fixed. Any window trim to be wrapped in White aluminum.



Original aluminum sliding doors are OK to remain.

Replacement Sliding Doors to be white exterior with narrow rails and stiles, no grids. Max Thickness of frame and rails to be 6". Maintain original size. Material can be vinyl, fiberglass composite or aluminum. Any door trim to wrapped in white aluminum.



Siding is to match profile of T-11 vertical 4" o.c. grooved. Material can be plywood, fiber-cement or PVC.
Dimensions for sheet are below. Painted or solid stain to match approved house color.

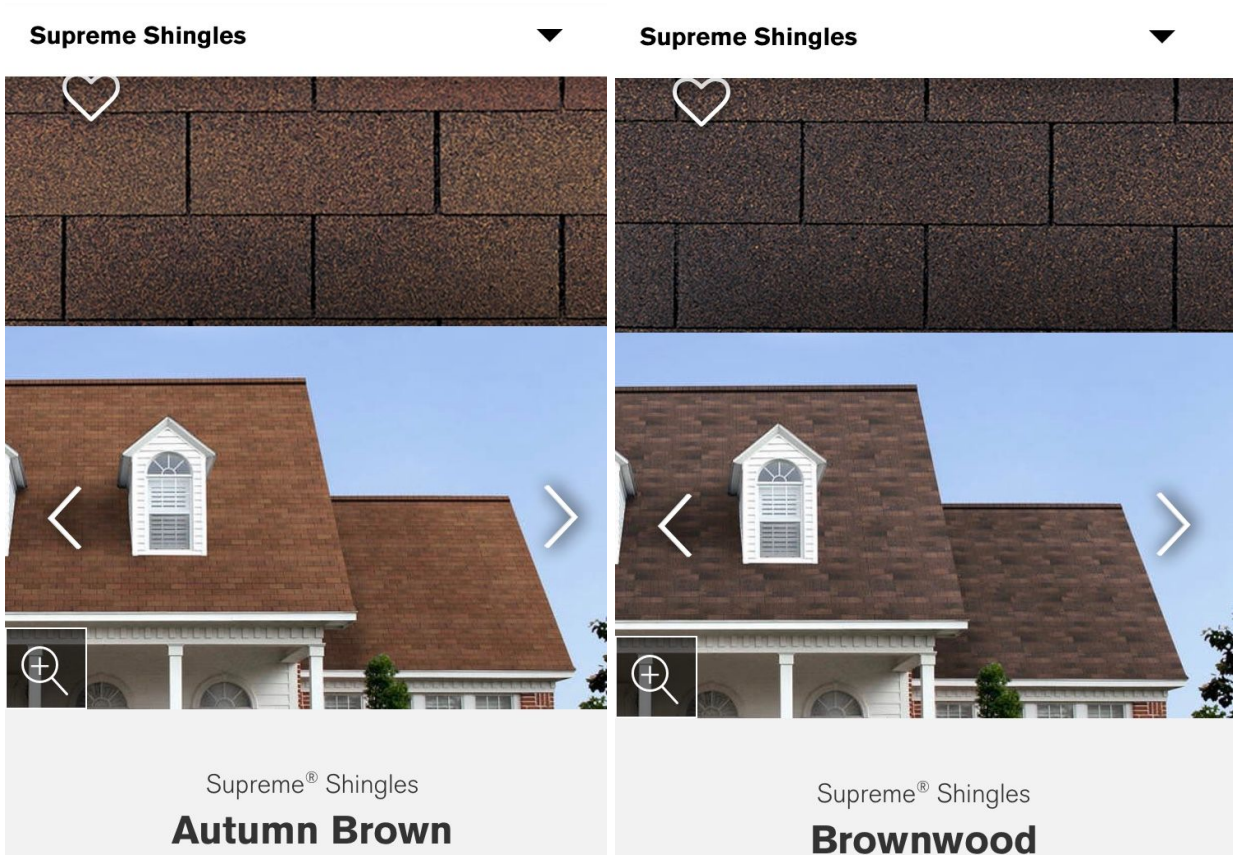
5/8 x 48 x 96 SHEET

DADO BEVELED ON 4" OC with 3/8" wide groove and depth of groove at 1/4"

EDGE DETAIL FOR JOINING SHEET



Supreme® (Algae Resistant) Shingles: As manufactured by Owens Corning Roofing and Asphalt, LLC.
 Color - Autumn Brown and Brownwood (Three tab or Architectural OK)



Supreme® Shingles
Autumn Brown

Supreme® Shingles
Brownwood

Supreme Shingles

Technical Characteristics (nominal values)

Property (Unit)	Value
Weight (G/M ²)	25-Year Limited
Wind Resistance	60 MPH
Algae Resistance	10 Years
Nominal Size	12" x 36"
Exposure	5"
Shingles Per Square	80
Bundles Per Square	3
Coverage Per Square	100 sq. ft.

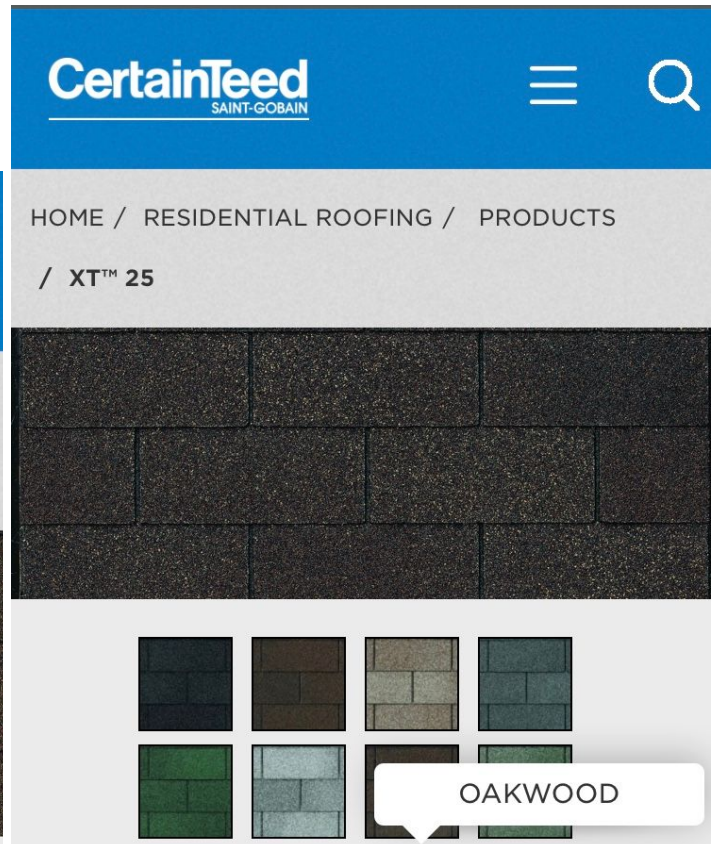
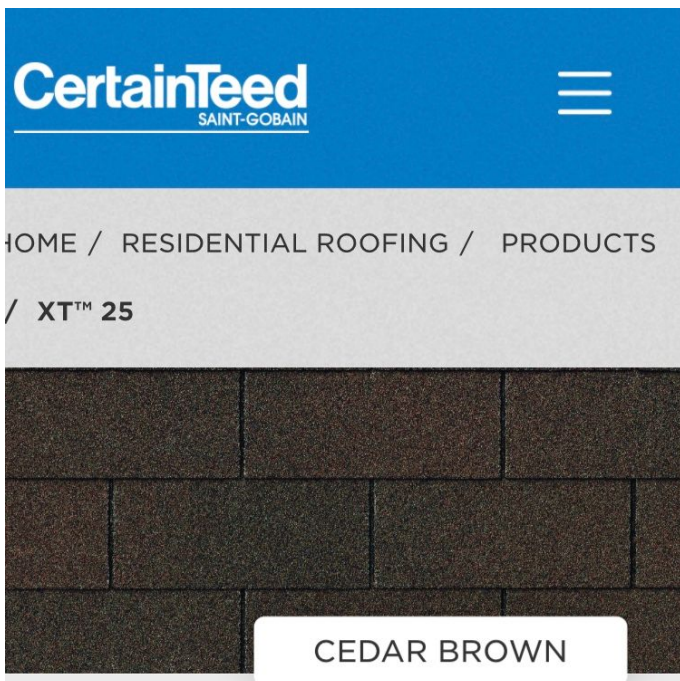
Applicable Standards

- ASTM D228
- ASTM D3018 (Type 1)
- ASTM D3161 (Class F Wind Resistance)
- ASTM D3462
- ASTM D7158 (Class H Wind Resistance)
- ASTM E108 (Class A Fire Resistance)
- ICC-ES AC438
- UL 790 (Class A Fire Resistance)
- UL ER2453-01

CertainTeed XT25 Shingles:

Colors- Cedar Brown or Oakwood (Three tab or Architectural OK)

Conforming to ASTM D 3018 Type I –Self-Sealing; UL Certification of ASTM-D 3462, ASTM D 3161/UL 997 60-mph Wind Resistance and UL Class A Fire Resistance; glass fiber mat base, ceramically colored/UV resistant mineral surface granules across entire face of shingle; algae-resistant copper coated granules square three-tab type.



Royal Sovereign Shingles by GAF Industries
Color - Autumn Brown (Three tab or Architectural OK)



- **High Performance:** Designed with [Advanced Protection® Shingle Technology](#), which reduces the use of natural resources while providing excellent protection for your home.
- **Looks Great:** Color Lock™ Ceramic Firing (granules) helps maintain the true shingle color.
- **StainGuard® Protection:** Helps ensure the beauty of your roof against unsightly blue-green algae.¹
- **Highest Roofing Fire Rating:** UL Class A, listed to ANSI/UL 790
- **Stays In Place:** Passes the industry's two toughest wind tests: ASTM's 110 mph and 150 mph wind tests (under controlled laboratory conditions).^{2,3}
- **Excellent Performance:** Micro Weave™ Core offers a strong foundation that helps resist cracking and splitting.
- **Ultimate Peace of Mind:** 25-year Ltd. transferable warranty with Smart Choice® Protection (non-prorated material and installation labor coverage) for the first five years.³

Front lights for houses with no overhangs are to be rectangular flush mount with max dimensions of 12”H by 6” W with a non-clear lens. If any metal exposed, should be silver or white colored. Example Below:



Front lights for houses with overhangs should have a square surface mount light on underside of overhang above doorway with max dimensions of 12”W x12”Dx6”H with a non clear lense. Any metal exposed should be Silver or white. A recessed light is OK as well. Example below:



Rear lights on houses should be flush mount or sconce style with max dimensions 12”H x 6”W. Lens to be non-clear. Shape is allowed to be rectangular, oval, or tube as long as it fits in max dimensions. Any exposed metal is to be silver or white colored. Examples below:



AZEK® Synthetic Decking Arbor Collection - Colors Brazilian Walnut, Mountain Redwood, and Silver Oak - Railing to Match color of Deck



V Brazilian Walnut

AZEK Arbor Collection



V Mountain Redwood

AZEK Arbor Collection



V Silver Oak

AZEK Arbor Collection



3.1.2 Semi-capped and Fully-capped Deck Boards (Arbor Collection, Terra Collection and Harvest Collection): The semi-capped and fully-capped deck boards are produced in a coextruded process from cellular vinyl and a mineral additive and are available in the Arbor Collection, Terra Collection and Harvest Collection. The capped boards are manufactured in 1-inch-thick-by-5¹/₂-inch-wide (25.4 mm by 140 mm) boards with a 0.02-inch-thick cap (0.5 mm) covering the top and a 0.01-inch-thickcap (0.25 mm) covering the sides of the semi-cap board and additionally covering the bottom with a 0.01-inch-thickcap (0.25 mm) on the fully-capped deck board. The semi-capped and fully-capped deck boards are available in 12-, 16-, or 20-foot (3.7, 4.9 and 6.1 m) lengths.



ARBOR COLLECTION™ AND TERRA COLLECTION™ FULLY CAPPED DECK PROFILE

Natural Pressure Treated Wood 5/4x6 Deck Board - Colors - Natural Weathering, Behr Redwood ST-330, Behr Grey ST-159, Behr Russet Brown ST-117 - Railing to Match color of Deck - All stains to be Semi-Transparent or Solid

3



BEHR Premium >

8 oz. #ST-330 Redwood Semi-Transparent Waterproofing Exterior Wood Stain and Sealer Sample

★★★★★ (113) [Write a Review](#) [Questions & Answers \(2\)](#)

- Complete weatherproofing protection from the elements
- Durable advanced 100% acrylic formula
- All-in-one wood stain and sealer

\$3⁶⁸ /each



87



BEHR DECKplus >

1 gal. #ST-159 Boot Hill Grey Semi-Transparent Waterproofing Exterior Wood Stain

★★★★★ (193) [Write a Review](#) [Questions & Answers \(73\)](#)

- Resists UV and water damage
- 100% acrylic formula
- Durable water repellent finish protects exterior wood surfaces

\$26⁹⁸ /each



Container Size: **1 GA-Gallon**

1 GA-Gallon

Transparency: **Semi-Transparent**

Semi-Transparent

Solid



BEHR Premium >

8 oz. #ST-117 Russet Semi-Transparent Waterproofing Exterior Wood Stain and Sealer Sample

★★★★★ (929) [Write a Review](#) [Questions & Answers \(239\)](#)

- Complete weatherproofing protection from the elements
- Durable advanced 100% acrylic formula
- All-in-one wood stain and sealer

\$368 /each

Container Size: **8 OZ-Ounce**

Transparency: **Semi-Transparent**

Patio's are allowed to be on grade wood deck (see deck standards), pea gravel brown stone, flagstone pavers or poured concrete, stamper concrete, concrete/brick pavers (combination of multiple materials is OK)

